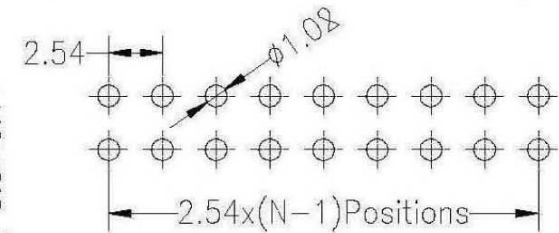
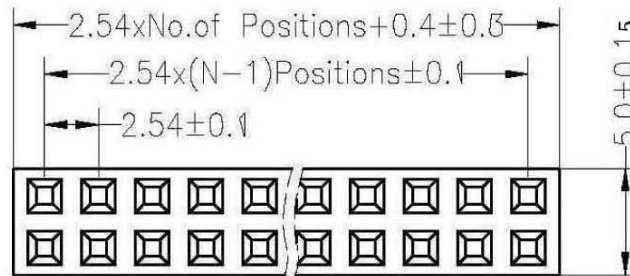


SPECIFICATIONS

Rated Current:3.0AMP
 Contact Resistance:20mΩ Max
 Withstand Voltage:1000V AC/DC
 Insulation Resistance:1000MΩ Min
 Operation Temperature:-40°c to +105°c

Contact Material:Brass
 Contact Plating:Au or Sn Over Ni
 Insulator Material:Polyester(UL94V-0)
 Standard: PA6T
 Max.Processing Temp: 230°C for 30-60 seconds
 (260°C for 10 seconds)

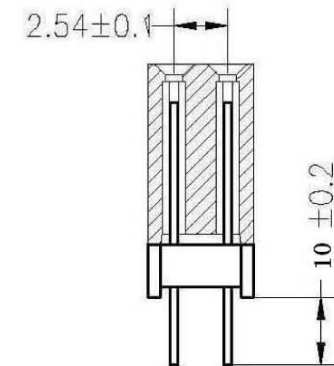
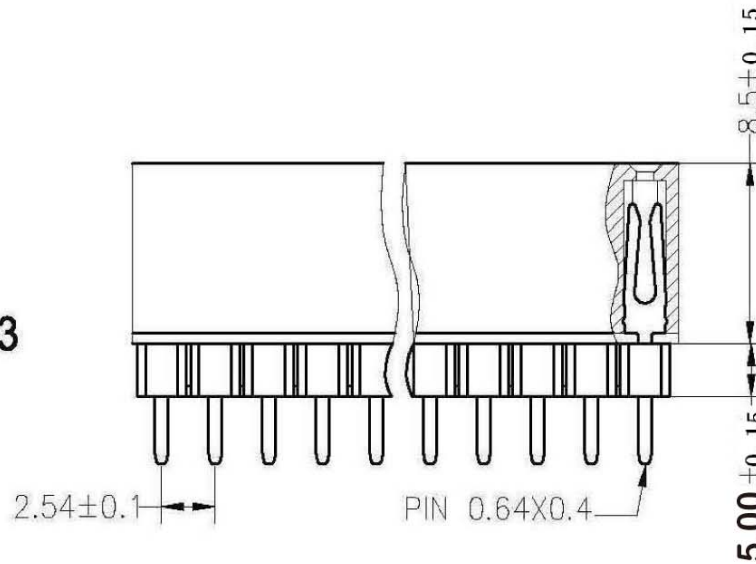
Recommended P.C.B Layout(Top Side)
 (PCB BOARD TOLERANCE±0.05)



Ordering Information

22854 XX XX X S Y 03

No.of Pins Per Row 2*40 2-80
 Contact Plating
 G0:Gold Flash
 G2:5U" Gold
 G3:10U" Gold
 G4:15U" Gold
 G5:30U" Gold
 S0:Gold Flash/Tin
 SN:Tin
 Insulator Material Option
 A=BK-PBT
 B=BK-PA66
 C=BK-PA6T
 D=BK-PA46
 F=BK-LCP



OPERATION

X.X	±0.30
X.XX	±0.20
X.XXX	±0.10
Angle	±3'
DIM	TO

DRAW

CHECK

APPROVE

YiYuSheng

12.03.28

SCALE

UNIT

SIZE

SHEET

PROJ.

FIT

mm

A4

1/1

◆

Wellco T&C Co., Ltd.

PART NO.

TITLE:

2.54PF H8.5mm+H mm 2xNpin 180° W5.0mm

A0	2012.03.28	NEW DRAWING							
REV	DATE	MODIFICATION DESCRIPTION		CHANGE					