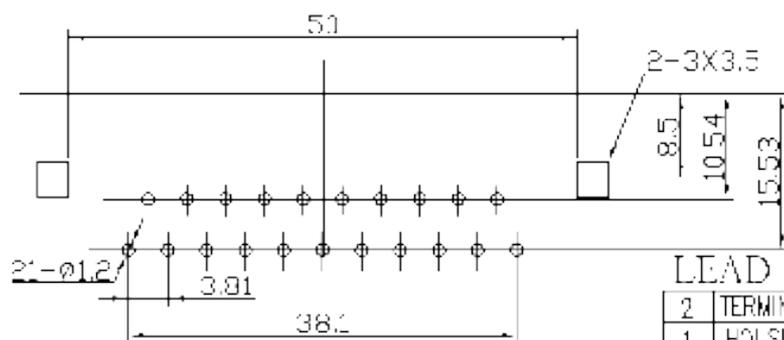
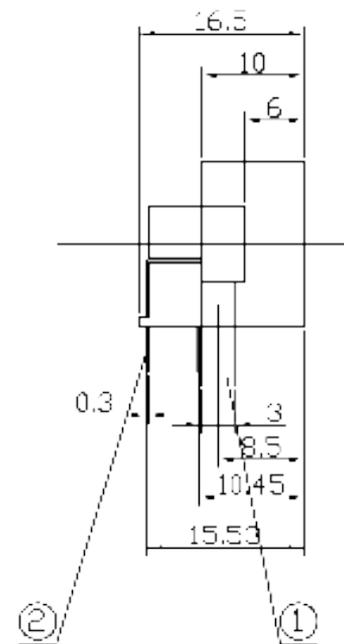
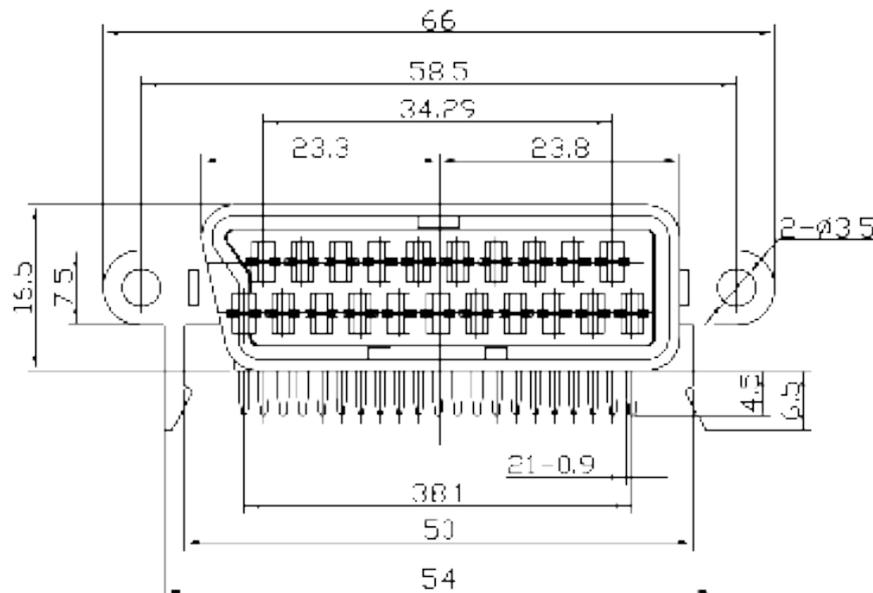


* REVISIONS				
LTR	DESCRIPTION	DATE	REVISED	APPROVED



LEAD FREE

2	TERMINAL	21	C5191	l=0.3	MB:Cu	Cn/Sn	PLATED
1	HOUSING	1	PC				

LTR	PART NAME	QTY	MATERIAL		REMARK
DSND	XIAO CU	DATE	2026.01.24	3RD ANGLE PROJECTION	M/W/C
DWN	HU LJN	DATE	2026.01.24		ROB CONNECTOR
CHKD	CAO WD	DATE	2026.01.24		CAT. NO.
APVD	JACKY	DATE	2026.01.24		WRC-021V-02

1:1.6 Dimensions of PC board holes

Tolerance : +0.1(Printed-side view)

UNLESS OTHERWISE SPECIFIED, TOLERANCE ON DECIMAL: ±0.3

Wellco T&C Co., Ltd.

DWN NO. 3D-021V-02 001