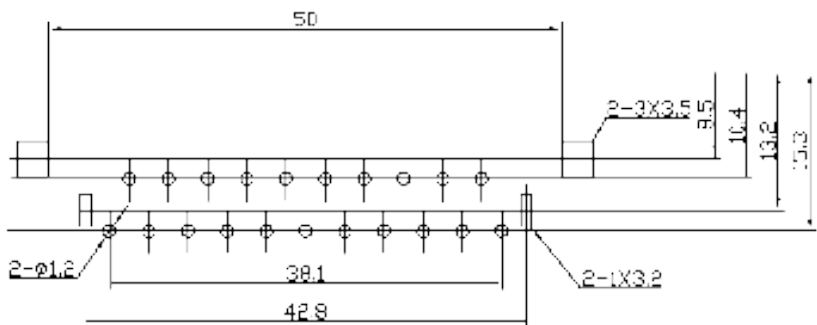
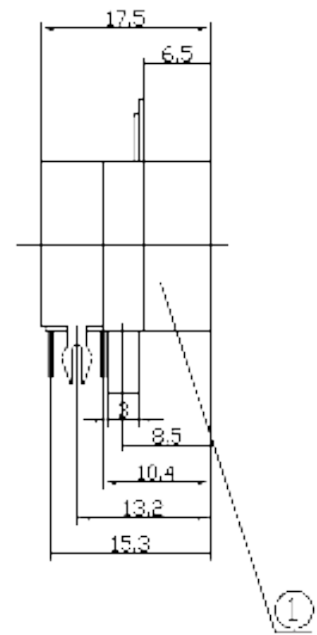
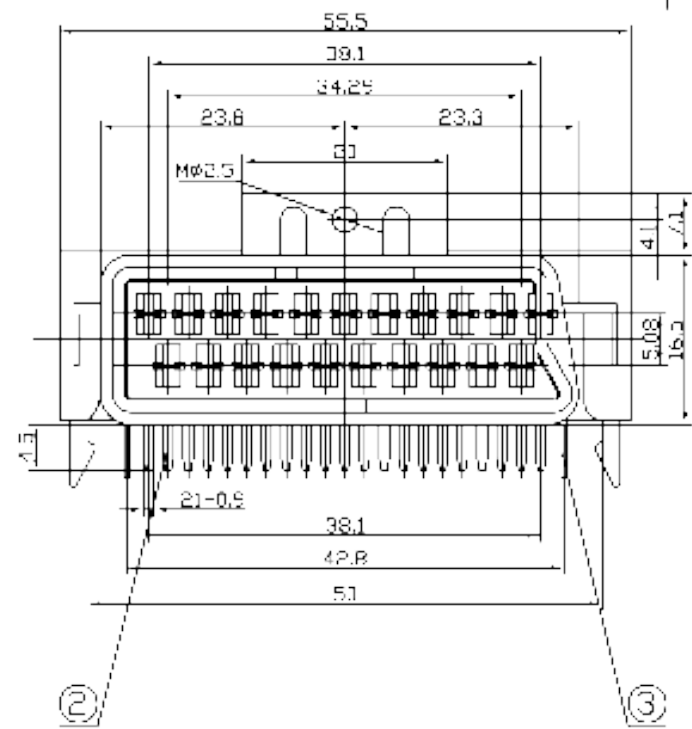


* REVISIONS				
TR	DESCRIPTION	DATE	REVISED	APPROVED



①.5 Dimensions of PC board holes
Tolerance : ±0.1(Printed-side view)

UNLESS OTHERWISE SPECIFIED, TOLERANCE ON DECIMAL: ±0.3

LEAD FREE

3	TERMINAL	1	C5191	t=0.3	ME:Cu	Cu/Sn	PLATED
2	TERMINAL	21	C5191	t=0.3	ME:Cu	Cu/Sn	PLATED
1	HOUSING	1	PC				
LTR	PART NAME	QTY	MATERIAL		REMARK		
DSND	XIAO CUI	DATE	2006.03.25	3RD ANGLE PROJECTION	NAME RGB CONNECTOR		
DWN	HU LUN	DATE	2006.03.25		CAT. NO. WRC-021V-07		
CHKD	GAO WFI	DATE	2006.03.25		OWN. NO. 00-021V-07		
APVD	JACKY	DATE	2006.03.25		UNIT: mm		
Wellco T&C Co., Ltd.							

001