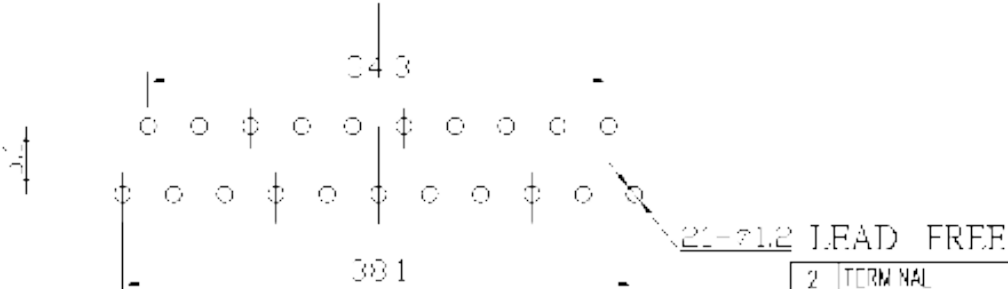
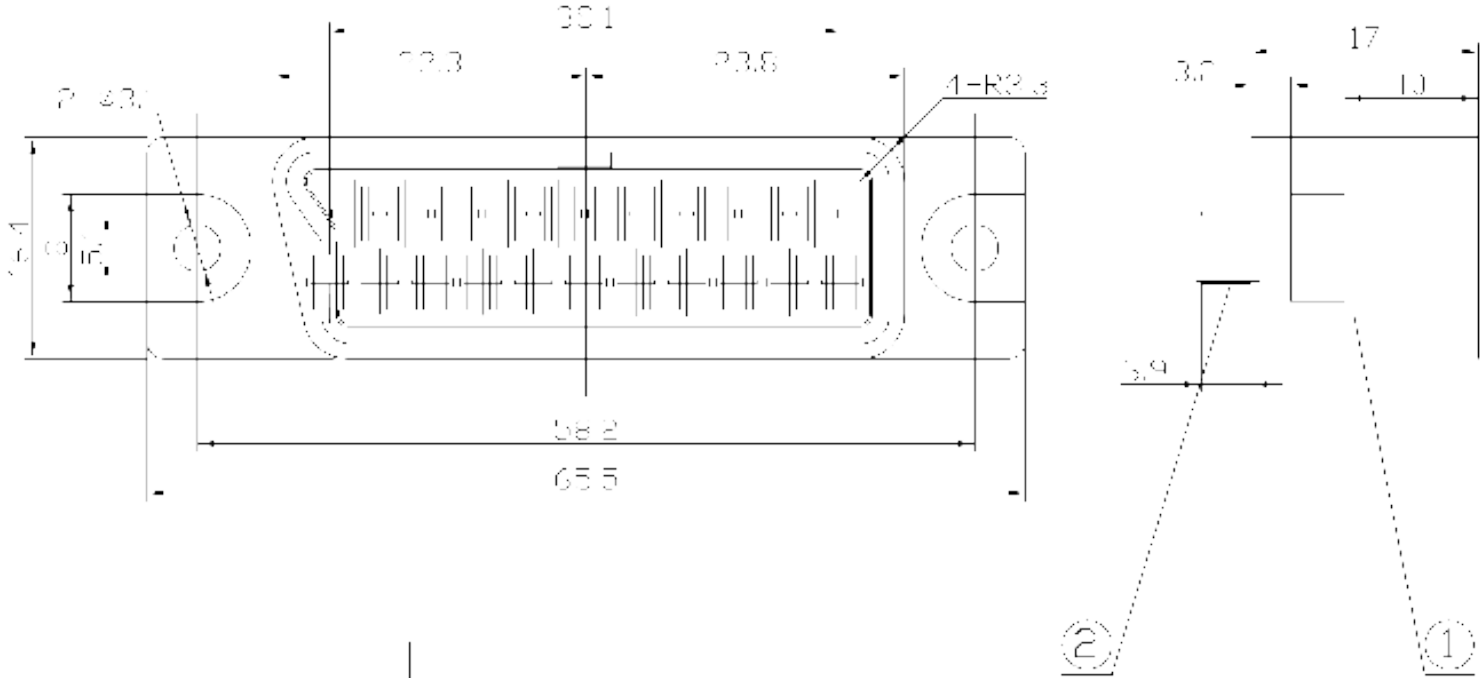


| * REVISIONS |             |      |         |          |
|-------------|-------------|------|---------|----------|
| LTR         | DESCRIPTION | DATE | REVISED | APPROVED |



1:1.5 Dimensions of PC board holes  
Tolerance : ±0.1 (Printed-side view)

UNLESS OTHERWISE SPECIFIED, TOLERANCE ON DECIMAL: ±0.3

| 2                    | TERMINAL  | 21   | CS191      | t=0.3                   | M3/Cu                   | Cu/Sn | PLATED |
|----------------------|-----------|------|------------|-------------------------|-------------------------|-------|--------|
| 1                    | HOUSING   | 1    | PC         |                         |                         |       |        |
| LTR                  | PART NAME | QTY  | MATERIAL   |                         | REMARK                  |       |        |
| DSND                 | XI40 CUI  | DATE | 2006.02.04 | 3RD ANGLE<br>PROJECTION | NAME<br>RGB CONNECTOR   |       |        |
| DWN                  | FU LUN    | DATE | 2006.02.04 |                         | CAT. NO.<br>WRC-021H-10 |       |        |
| CHKD                 | GAC WEI   | DATE | 2006.02.04 |                         | DWN. NO.<br>30-0214-10  |       |        |
| APVD                 | JACKY     | DATE | 2006.02.04 |                         | UNIT: mm                |       |        |
| Wellco T&C Co., Ltd. |           |      |            |                         |                         |       | 001    |